



Parts list

Introduction

© Nibotechnics

Nibotechnics products are patented or patent pending. Patent information is available by contacting Nibotechnics.

The policy of Nibotechnics is one of continuous development and we therefore reserve the right to make technical alterations without notice. The content of this publication may not be copied either whole or in part without the consent of Nibotechnics.

This product and its accessories have been manufactured by :

Nibotechnics nv, Heikant 5, B-3930 Hamont-Achel, Belgium.

'Neptune' is a registered trademark of Nibotechnics.

Contents

SECTION

1. Column, base & fixings	4
2. Drum & overload clutch	7
3. Handle	9
4. Mast	11
5. Sub-chassis, seat & safety chain	13
6. Neptune stretcher & trolley	16
7. Swimchair	20
8. Neptune transporter	22

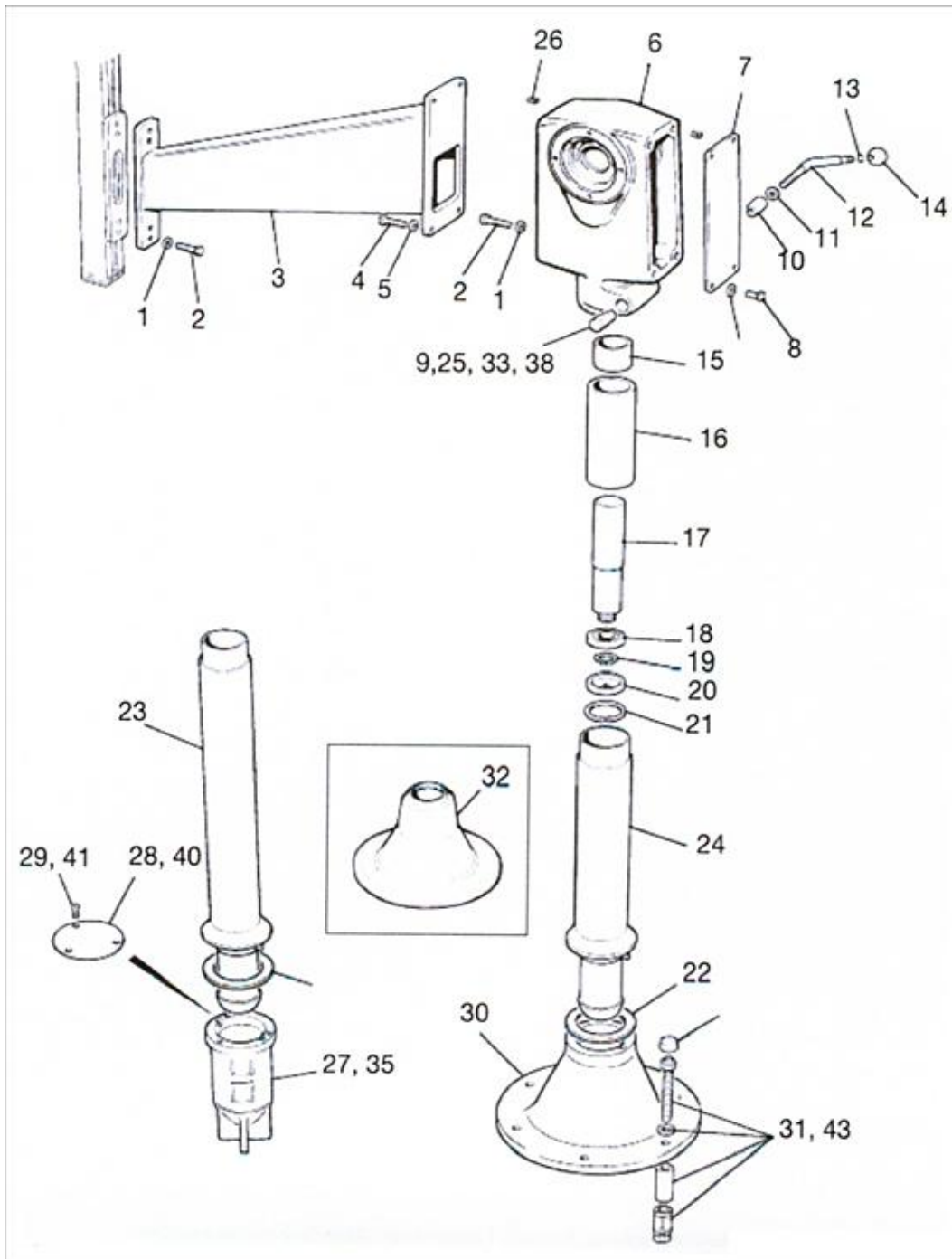
1. Column, base & fixings

Items on p. 6

Item	Part number	Quantity	Description
1	DX08830.0	5	Washer M10
2	DX08720.0	5	Bolt M10 x 40
3	DX09500.0-1	1	Standard boom - 680 mm <i>(DX09500.0=old partnumber)</i>
	DX09510.0-1	1	Boom - 1 m <i>(DX09510.0=old partnumber)</i>
	DX09520.0-1	1	Boom - 1.2 m <i>(DX09520.0=old partnumber)</i>
4	DX08700.0	4	Screw hex. set M12 x 35
5	DX08820.0	8	Washer M12
6	DX08050.0	1	Housing
7	DX08120.0	1	Back cover
8	DX08710.0	4	Screw hex. set M12 x 20
9	DX08470.0	1	Clamp pad (threaded)
10	DX08480.0	1	Clamp pad
11	DX09270.0	1	Washer
12	DX08490.0	1	Pad bolt
13	BX05620.0	1	Circlip special
14	BX05610.0	1	Knob
15	DX09010.0	1	Bush
16	DX08390.0	1	Bush column
17	DX08380.0	1	Pivot column
18	DX08930.0	1	Bearing
19	DX08870.0	1	Circlip
20	DX08370/1	1	Retaining cover <i>(DX08370.0=old partnumber)</i>
21	DX08880.0	1	Circlip
22	DX09380.0	1	Washer
23	DX08440.0	1	Column long (socket mounted)
24	DX08450.0	1	Column short (plate mounted)
25	DX09260.0	1	Pad clamp cover
26	DX08840.0	9	Helicoil insert M15 x 1.75 mm x 24 mm
			Socket
27	DX08030.0	1	Socket
28	DX10030.0	1	Socket cover
29	DX09170.0	3	Screw CSK Pozi M5 x 12
			Base plate with fixings
30	DX08040.0	1	Neptune base
31	DX08951.0	6	Anchor bolt
32	DX08080.0	1	Neptune base cover
33	DX09020.0	6	Spacer nylon
34	DX08580.0	6	Washer M12 (not illustrated)

Items on p. 6

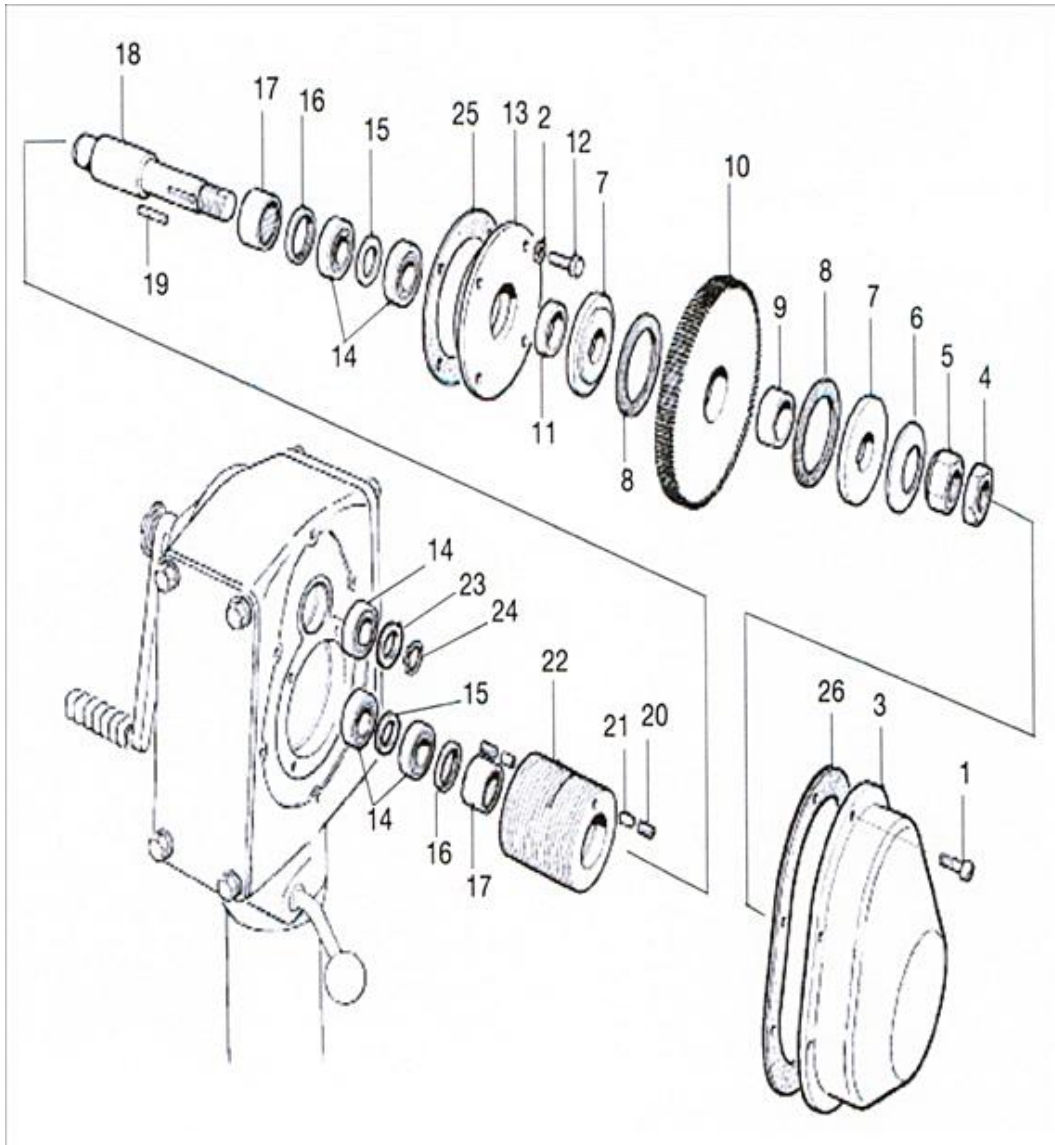
Item	Part number	Quantity	Description
			Flanged Socket
35	DX08030.0	1	Socket
36	DX13791.0	1	Flanged socket plate (not illustrated)
37	DX08580.0	4	Washer M12 (not illustrated)
38	DX09020.0	4	Spacer nylon
39	DX09250.0	4	Screw SKT Set M12 x 16 (not illustrated)
40	DX10030.0	1	Socket cover
41	DX09170.0	3	Screw CSK Pozi M5 x 12 (not illustrated)
42	DX08791.0	4	Screw SKT Set M10 x 25 (not illustrated)
43	DX08951.0	4	Anchor bolt



2. Drum & overload clutch

Items on p. 8

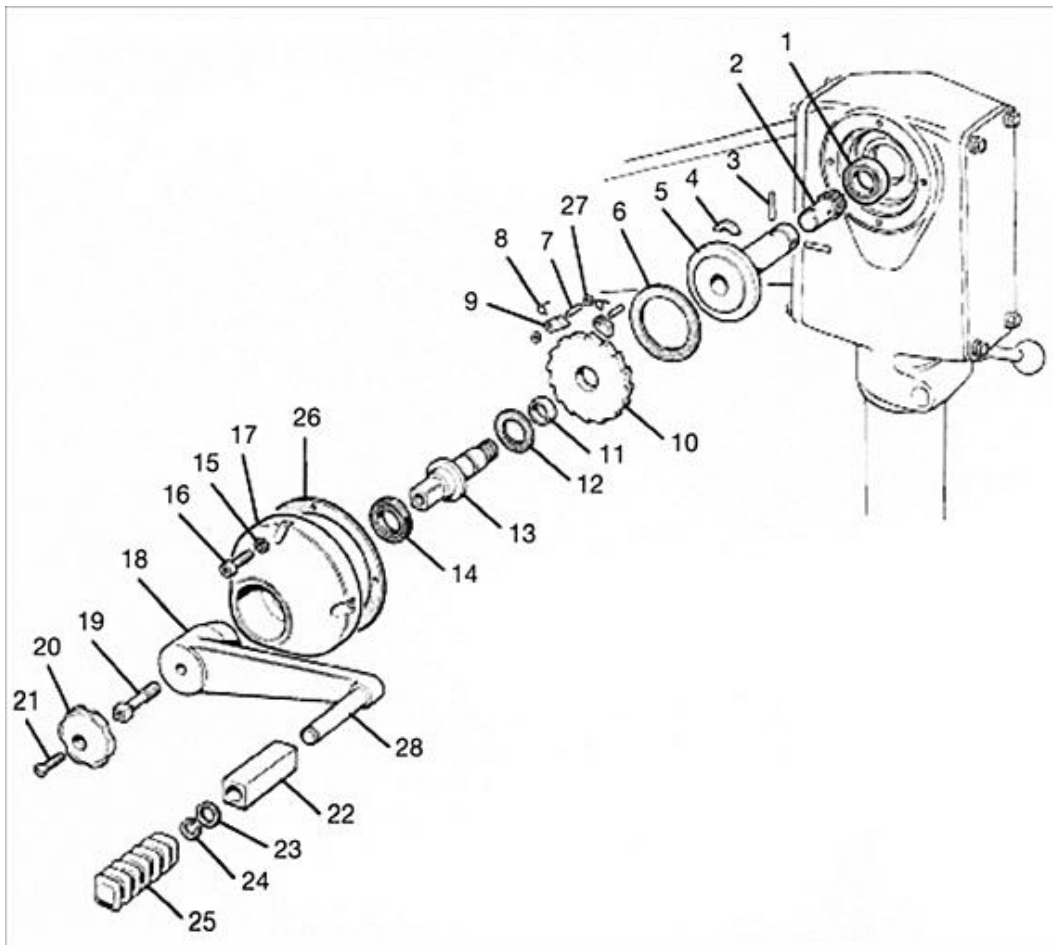
Item	Part number	Quantity	Description
1	DX06720.0	6	Screw
2	DX09240.0	4	Washer
3	DX08100.0	1	Gear cover
4	DX09140.0	1	Lock nut M24
5	DX08340.0	1	Nut
6	DX08960.0	1	Disc spring
7	DX08320/1	2	Pressure plate
8	DX08350.0	2	Friction disc
9	DX09190.0	1	Gear bush
10	DX08160.0	1	Gear wheel
11	DX08310.0	1	Spacer
12	DX08730.0	4	Screw M6 x 16
13	DX08220.0	1	Retaining plate
14	DX08920.0	5	Bearing
15	DX08300.0	2	Drum spacer
16	CX09230.0	2	Seal
17	CX09000.0	2	Clutch
18	DX08210.0	1	Drum shaft
19	DX08330/1	1	Key (<i>DX08330.0=old part number</i>)
20	DX08800.0	2	Screw
21	DX08650.0-1	2	Wire grip (<i>DX08650.0=old part number</i>)
22	DX08200.0	1	Drum
23	DX08240.0	1	Spacer
24	DX08860.0	1	Circlip
25	DX08640.0	1	Gasket handle cover
26	DX08630.0	1	Gasket gear cover



3. Handle

Items on p. 10

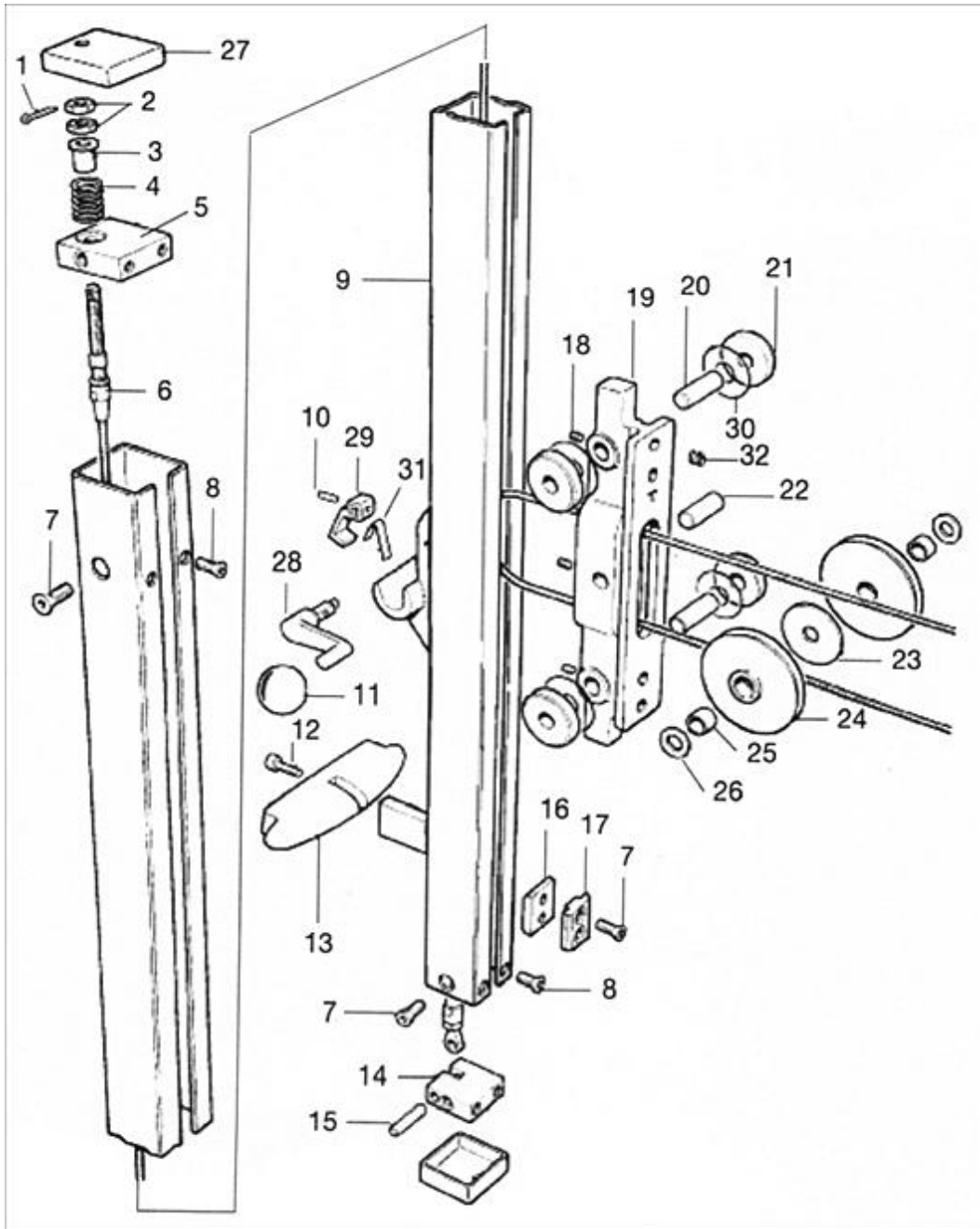
Item	Part number	Quantity	Description
1	DX08920.0	1	Bearing
2	DX08140.0	1	Pinion
3	DX08900.0	2	Spirol pin
4	DX08230.0	1	Key segment
5	DX08170.0	1	Gear shaft
6	DX09390.0	1	Friction disc
7	DX09200.0	2	Pin dowel
8	AX00730.0	2	Pawl spring
9	AX00560.0	2	Pawl
10	DX08150.0	1	Ratchet wheel
11	DX09110.0	1	Bush
12	DX08360.0	1	Friction disc small
13	DX08180.0	1	Handle shaft
14	DX08940.0	1	Seal
15	DX09240.0	4	Washer spring M6
16	DX08740.0	4	Screw cap SKT M6 x 16
17	DX08110.0	1	Handle cover
18	DX08131.0	1	Handle
19	DX09150.0-1	1	Stud, M10 (<i>DX09150.0=old part number</i>)
20	DX09160.0	1	Knob
21	DX09170.0	1	Screw M5 x 12
22	AX02921.0	1	Revolving handle
23	DX09210.0	1	Washer
24	AX00720.0	1	Circlip 13 mm
25	AX01120.0	1	Sleeve
26	DX08640.0	1	Gasket handle cover
27	DX10660.0	4	Washer
28	DX08291.0	1	Handle spindle
29	KRX21130.0	1	Label booklet (not illustrated)
30	POL4000	1	Sticker chassis (not illustrated)



4. Mast

Items on p. 12

Item	Part number	Quantity	Description
1	DX08990.0	1	Pin split
2	DX08980.0	2	Lock nut
3	DX08620.0	1	Spring collar
4	DX08970.0	1	Spring
5	DX08510.0	1	Terminal block
6	DX09050.0	1	Standard wire assembly
7	DX09070.0	1	1 m wire assembly
8	DX09090.0	1	1.2 m wire assembly
9	DX08770.0	4	Screw CSK SKT M8 x 20
10	DX08780.0	4	Screw CSK SKT M6 x 20
11	DX09540.0	1	Mast standard
12	DX08910.0	1	Spiral pen M3 x 16
13	DX10690.0	1	Knob
14	DX08760.0	1	Screw SKT cap M6 x 20
15	AX00030.0	1	Steady
16	DX08500.0	1	Terminal block
17	DX08670.0	1	Spindle
18	DX08560.0	1	Mast stop
19	DX08550.0	1	Mast stop
20	DX08810.0	3	Screw SET SKT M6 x 10
21	DX08090.0	1	Traveller
22	DX08600.0	2	Axle guide wheel
23	DX08530.0	4	Guide wheel
24	DX08590.0	1	Axle pulley
25	DX08570.0	1	Spacing washer
26	DX08520.0	2	Pulley
27	DX09100.0	2	Bush
28	DX08540.0	2	Pulley washer
29	DX08260.0	2	Mast cap
30	DX09360.0	1	Safety catch lever
31	DX09310.0	1	Mast safety catch
32	DX29540.0	4	Spacing washer



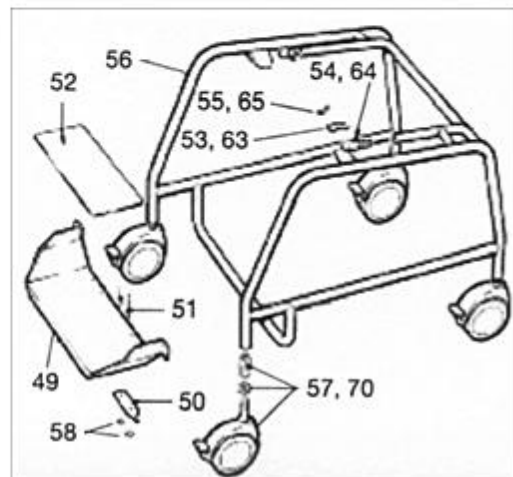
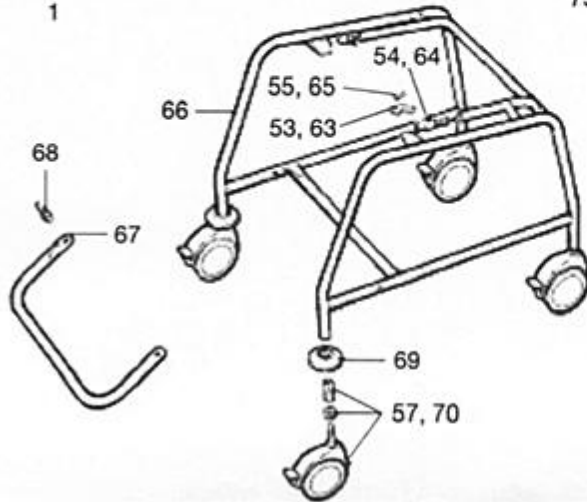
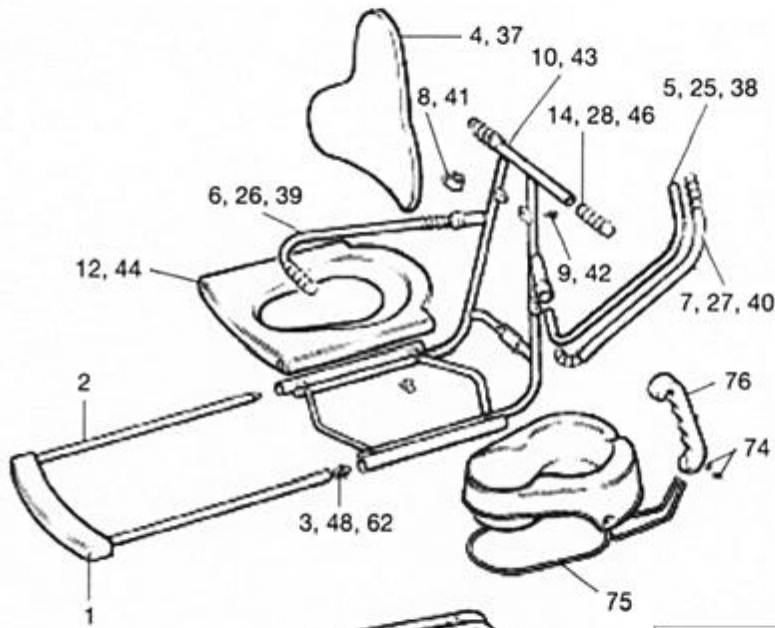
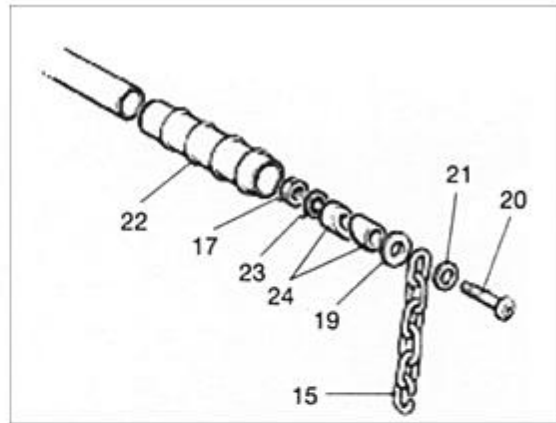
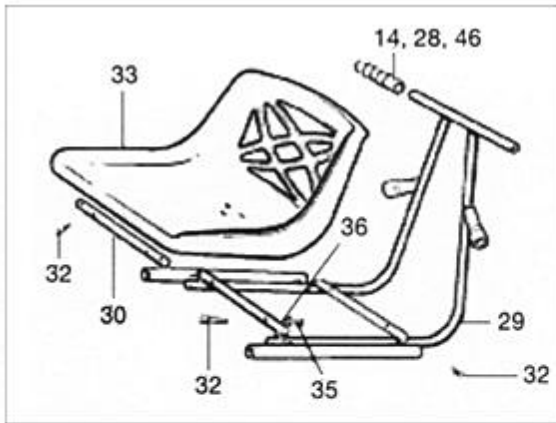
5. Sub-chassis, seat & safety chain

Items on p. 16

Item	Part number	Quantity	Description
Leg rest assembly			
1	KRX27820.0	1	Leg rest - plastic
2	AX00750.0	2	Leg rest - metal
3	AX00400.0	2	Guide button
Chair unit			
4	AX00340.0	1	Back rest
5	AX00350.0	1	Arm rest left hand
6	AX00360.0	1	Arm rest right hand
7	AX09330.0	2	Arm rest sleeve
8	AX00760.0	2	'P' clip
9	AX02000.0	4	Screw
10	AX05430.0	1	Frame
11	AX05440.0	1	Frame ("kinky back")
12	AX05450.0	1	Commode seat
13	AX05750.0	2	Seat buffer (not illustrated)
14	AX09290.0	2	Handgrip
Safety chain for chair			
15	AX14760.0	2	Chain (if fitted)
16	AX31220.0	1	Allen key 6 mm wrench (not illustrated)
17	AX02890.0	2	Nut M10 full
18	AX14750.0	2	Link rod (not illustrated)
19	AX14780.0	2	Washer
20	AX14800.0	2	Screw
21	AX14820.0	2	Washer
22	AX14830.0	2	Handgrip
23	AX15150.0	2	Washer
24	AX14790.0	4	Cylindrical wedge
Detachable bucket seat			
	AX00350.0	1	Arm rest left hand
	AX00360.0	1	Arm rest right hand
35	AX09290.0	2	PVC large handgrip
12	AX09330.0	2	PVC arm rest sleeve
52	AX14380.0	4	Washer
43	AX21910.0	1	Chair frame
44	AX21920.0	1	Seat attachment bar
N.I.	AX21930.0	2	Bolt
49	AX21940.0	2	Screw
48	BX07580.0	1	Bucket seat
47	GX17650.0	2	Nut
34	AX05750.0	2	Seat buffer
N.I.	AA1000	1	Biocompatible seat belt
	AA1033	KIT	Bucket seat complete

Items on p. 15

Item	Part number	Quantity	Description
Detachable commode seat			
4	AX00340.0	1	Back rest
5	AX00350.0	1	Arm rest left hand
6	AX00360.0	1	Arm rest right hand
12	AX09330.0	2	PVC arm rest sleeve
13	AX00760.0	2	P clip
23	AX02000.0	4	Screw
32	AX05450.0	1	Commode seat
30	AX05430.0	1	Frame
35	AX09290.0	2	PVC large handgrip white
N.I.	AX0575.0	2	Seat buffer
	AA1000	1	Biocompatible seat belt
	AA1030	KIT	Commode seat complete
Sub-chassis with footrest			
48	AX00400.0	1	Guide button
49	AX00481.0	1	Footrest
50	AX00490.0	2	Footrest retainer bracket
51	AX00540.0	4	Rivet
53	AX01431.0	1	Safety catch
54	AX01441.0	1	Safety catch housing
55	AX01450.0	1	Safety catch spring
56	AX02651.0	1	Sub-chassis with integral footrest std
57	AX05541.1	4	Swivel castor (<i>AX05541.0 & AX06100.0=old part number</i>)
58	EX41520.0	4	Washer M5
	DX27670.0	4	Washer (for use with sub-ch. std footrest rvs)
	AA1072	KIT	Chassis footrest complete
Sub-chassis with foot bar			
62	AX00400.0	1	Guide button
63	AX01431.0	1	Safety catch
64	AX01441.0	1	Safety catch housing
65	AX01450.0	1	Safety catch spring
66	AX02652.0	1	Int sub-chassis
67	AX02710.0	1	Footrest (tubular)
68	AX02720.0	2	Pivot
69	AX02730.0	2	Roller
70	AX05541.1	4	Swivel castor
	AA1075		Chassis with foot bar complete
Bedpan and bedpan holder			
74	AX00870.0	2	Setscrew
75	AX00910.0	1	Pot wire
76	AX00920.0	1	Pot handle
78	SPL5020	1	Bedpan support (not illustrated)



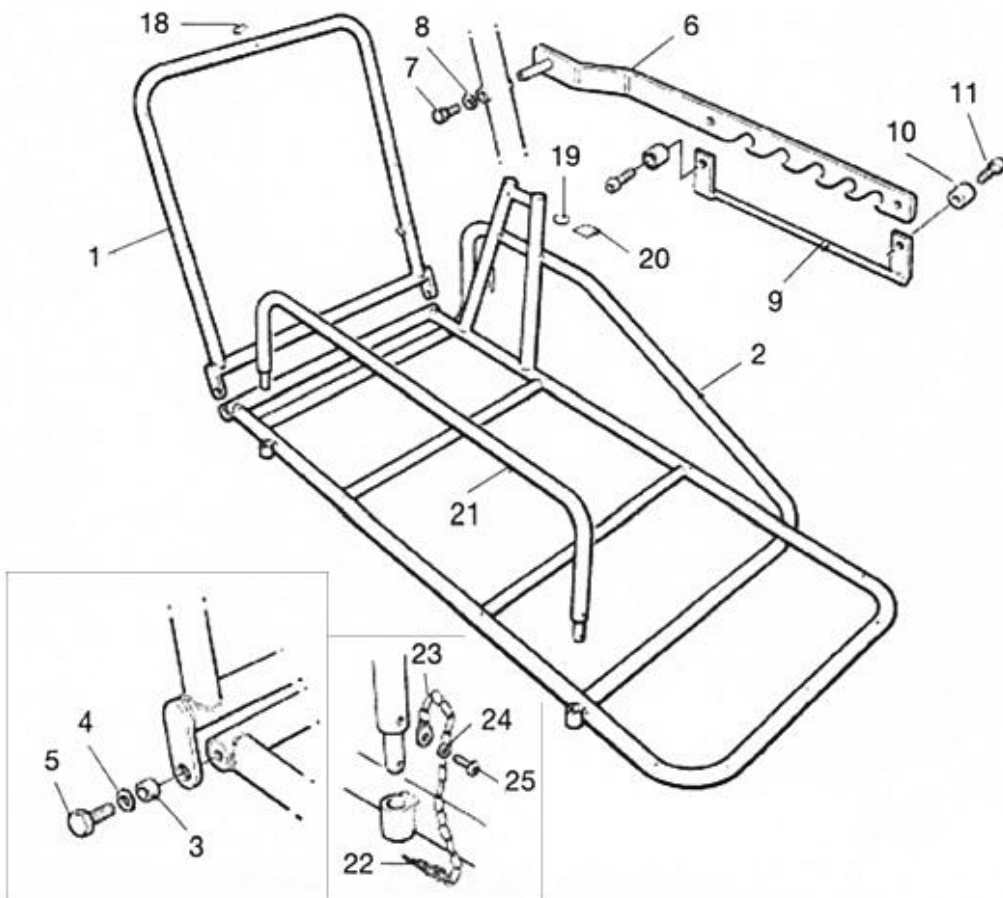
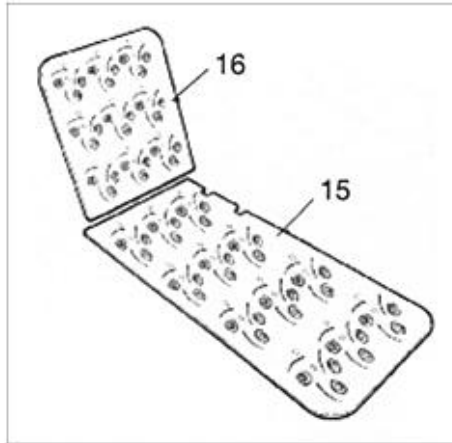
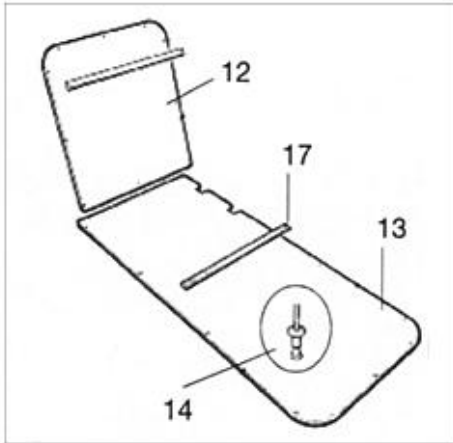
6. Neptune stretcher & trolley

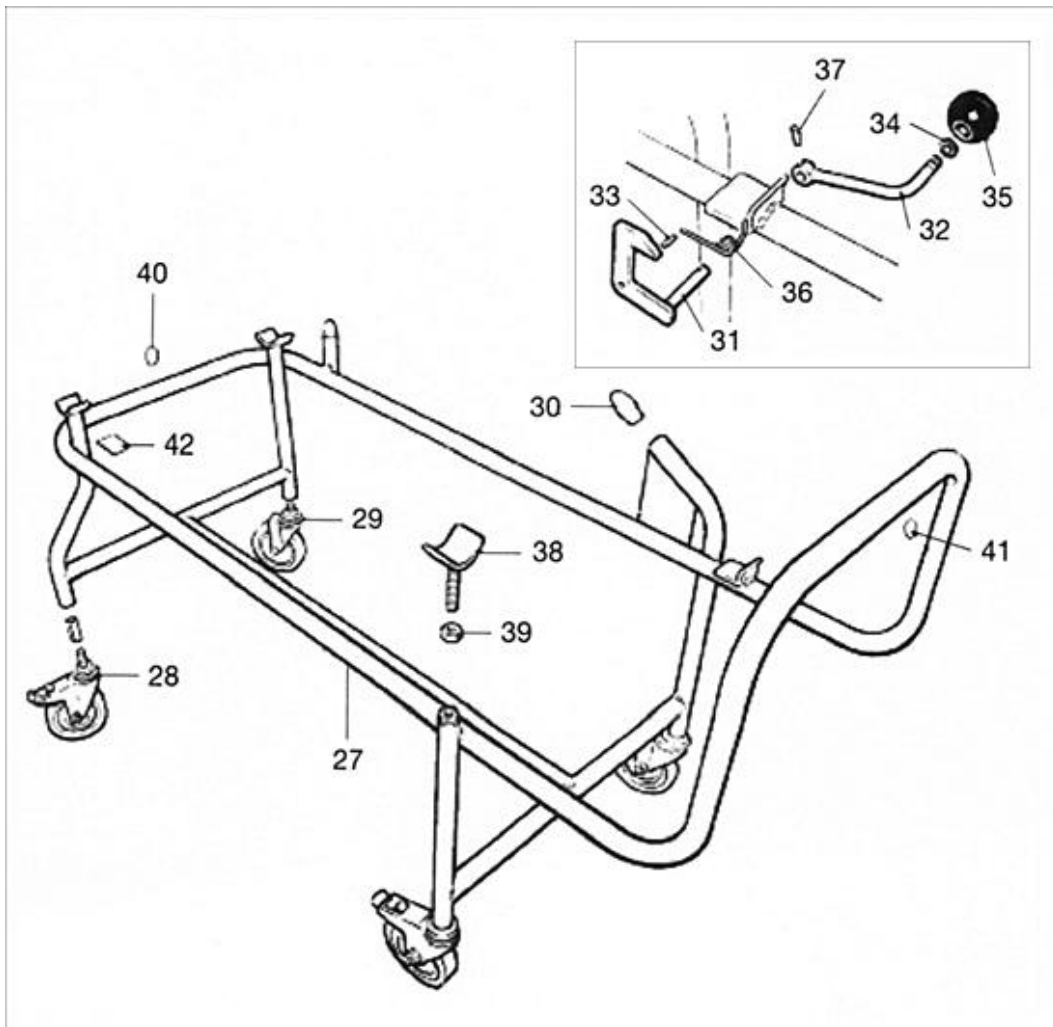
Items on p. 18

Item	Part number	Quantity	Description
Neptune stretcher			
1	DX09421.0	1	Stretcher frame - head
2	DX09411.0	1	Stretcher frame - body
	DVX0546.0	1	Stretcher frame (with guard rail)
3	DX09460.0	2	Spacer
4	DX08830.0	2	Washer M10
5	DX09700.0	2	Screw hex Set M10 x 30
6	DX09470.0	1	Stay
7	DX09680.0	1	Screw M6 x 10
8	DX09690.0	1	Washer M6
9	DX09330.0	1	Stay guard
10	DX09710.0	2	Stop
11	DX08740.0	2	Screw cap SKT M6 x 16
12	DX09620.0	1	Stretcher platform - head
13	DX09630.0	1	Stretcher platform - body
14	DX09660.0	22	Rivet M6 x 12
15	DX09650.0	1	Quilt foot end
16	DX09640.0	1	Quilt head end
17	WJ0010	1	Velcro loop
18	AX01160.0	1	Label CE
19	KRX01560.0	1	Label - SWL
20	KRX21130.0	1	Label booklet (not illustrated)
21	DVX0547.0	1	Guard rail
22	DVX0912.0	2	Retaining pin
23	KX57170.0	2	Chain and connector link
24	BX07070.0	2	Washer M6
25	AX25140.0	2	Screw M6 x 16
26	KX57170.0	2	Brass chain - only with stretcher assy C-W (not illustrated)

Items on p. 29

Item	Part number	Quantity	Description
			Neptune stretcher trolley
27	DX09901.0	1	Trolley frame
28-29	DX25511.1	4	Stainless steel castor braked <i>(DX25511.0 & DX25501.0 = old partnumber)</i>
30	DX09891.0	2	Guide button
31	DX10000.0	1	Latch assembly
32	DX09990.0	1	Handle assembly
33	DX07420.0	1	Spirol pin
34	BX05620.0	1	Circlip
35	BX05610.0	1	Knob
36	DX09980.0	1	Spring
37	BX07960.0	1	Spirol pin
38	DX09860.0	1	Adjuster bracket
39	DX27470.0	1	M12 nut
40	AX01160.0	1	Label CE
41	KRX01560.0	1	Label - SWL
42	KRX21130.0	1	Label booklet (not illustrated)





7. Swimchair

Items on p. 21

Item	Part number	Quantity	Description
1	DX32010.0	1	Frame swimchair
2	DX32022.0	2	Wheel (<i>DX32020.0 = old partnumber</i>)
3	EX60840.0	2	Washer M12
4	DX32120.1	2	Starlock fastener 12 mm (<i>DX32120.0 = old part number</i>)
5	HMX910	2	Castor (<i>DX32030.0 = old part number</i>)
6	DX08730.0	2	Screw, hex head set M6 x 16
7	DX32070.0	1	Foot rest
8	DX32080.0	2	Bush
9	DX32090.0	2	Screw hex set M8 x 25
10	AX00350.0	1	Arm rest left hand
11	AX00360.0	1	Arm rest right hand
12	AX09290.0	2	Handgrip large white
13	BX07580.0	1	Seat
14	DX32100.0	2	Screw self tap
15	AX01160.0	1	Label CE
16	KRX01560.0	1	Label - SWL
17	AX09330.0	2	Arm rest sleeve
18	DX32030A.0	2	Bush (not illustrated)
19	DX27450.0	2	RVS M10 x 35 (not illustrated)
20	DX08830.0	2	Washer M10 (not illustrated)

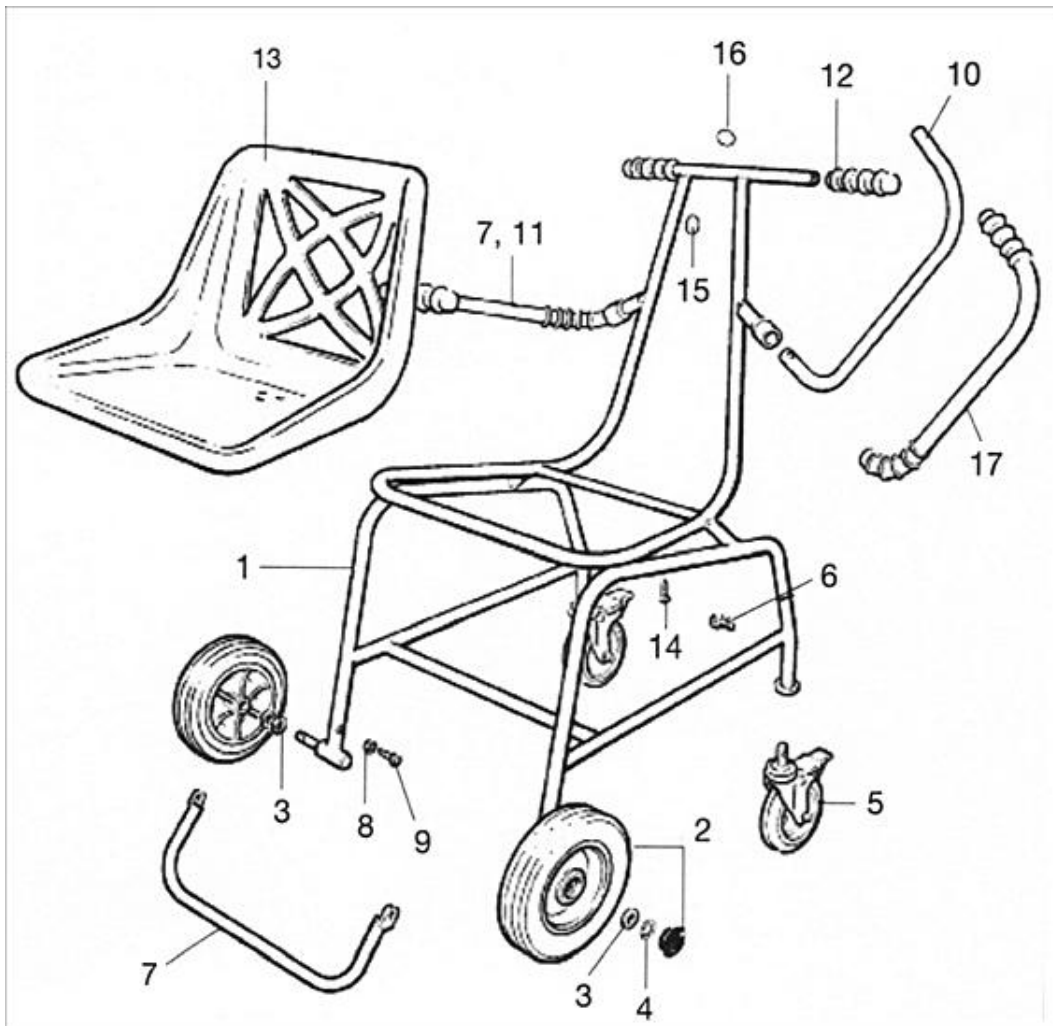
Remark:

Number 2, please order kit number DS1050, this contains;

1x DX32022.0 - wheel

2x DX32023.0 - bush

1x DX32120.1 - starlock M12



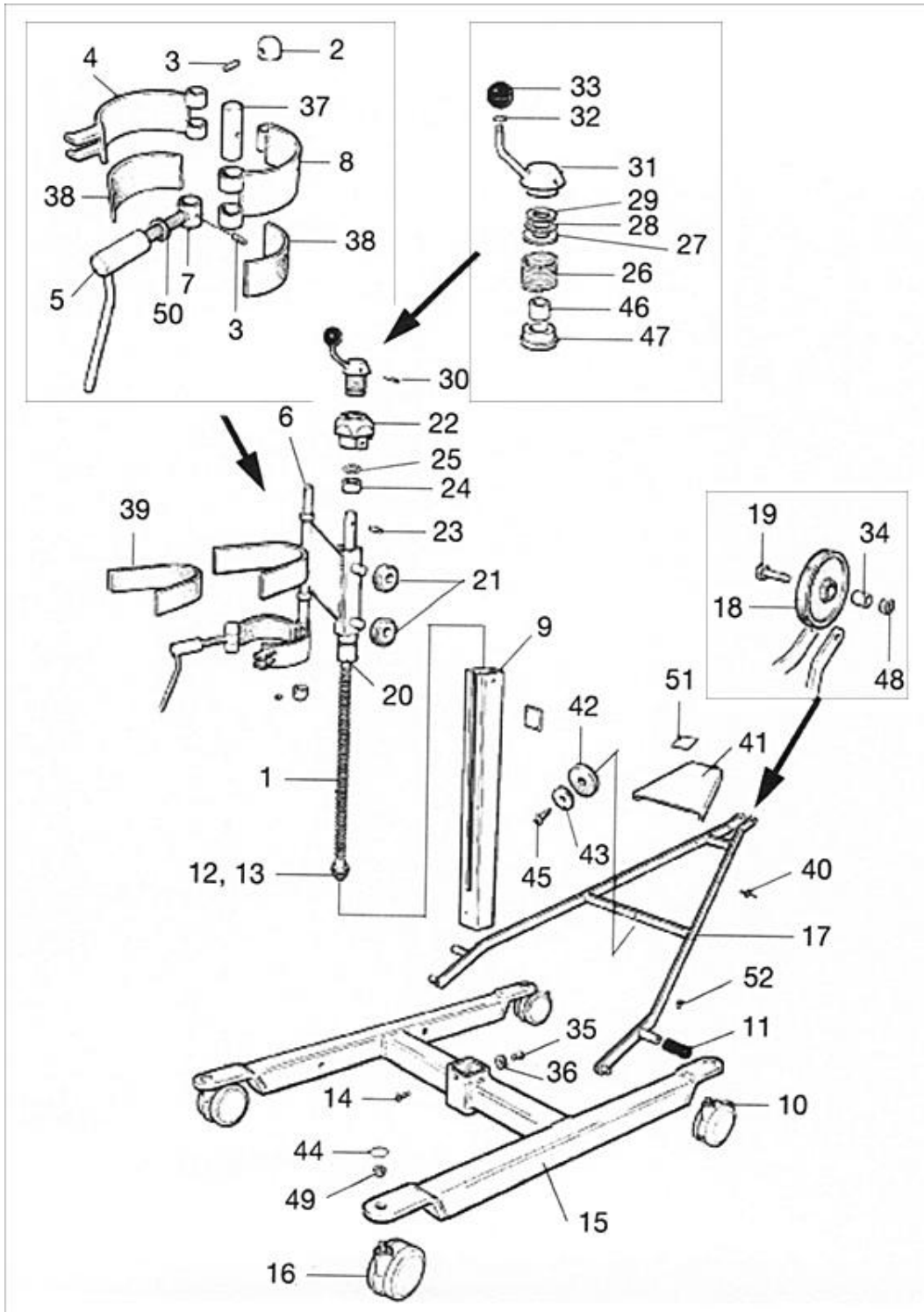
8. Neptune transporter

Items on p. 24

Item	Part number	Quantity	Description
1	DX025020	1	Shaft
2	DX25220.0	2	Hinge stop
3	DX25310.0	4	Spirol pin
4	DX25130.0	2	Clamp
5	DX25290.0	2	Lever assembly
6	DX25120.0	1	Jib & traveller
7	DX25140.0	2	Clamp screw assembly
8	DX25110.0	2	Clamp double hinge
9	DX25010.0	1	Mast
10	AX05541.2	2	Castor braked (<i>KLX01640.0 = old partnumber</i>)
11	DX25320.0	2	Sleeve
12	AX14140.0	1	Spirol pin
13	DX25040.0	1	Stop
14	DX25420.0	1	Screw, skt button head M10 x 15
15	DX25000.0	1	Chassis
16	AX05541.2	2	Castor braked (<i>KLX01650.0 = old partnumber</i>)
17	DX25190.0	1	Steady
18	DX25200.0	1	Guide wheel
19	DX25350.0	1	Bolt
20	DX25050.0	1	Nut
21	FX05240.0	4	Roller Guide
22	FX05570.0	1	Housing
23	FX05840.0	1	Pin
24	FX05830.0	1	Collar
25	FX05770.0	1	Shim
26	BX05660.0	1	Spring
27	BX05740.0	1	Thrust race
28	BX05720.0	1	Bearing thrust
29	BX05730.0	1	Thrust race
30	FX05650.0	1	Spirol pin
31	DX25260.0	1	Handle assembly
32	BX05620.0	1	Circlip, special
33	BX05610.0	1	Knob
34	DX25210.0	1	Spacer
35	AX04450.0	1	Rivet
36	FX05980.0	1	Washer
37	DX25160.0	2	Hinge pin
38	DX25240.0	4	Rubber pad, small
39	DX25230.0	1	Rubber pad
40	DX25360.0	4	Rivet

Items on p. 24

Item	Part number	Quantity	Description
41	DX25370.0	1	Instruction plate
42	DX25390.0	1	Rubber pad
43	DX25400.0	1	Washer M6
44	KTX00280.0	4	Cap castor
45	DX25520.0	1	Screw but hd SKT
46	AX05710	1	Bush
47	BX05670.0	1	Spring retainer
48	AX02890.0	1	Nut M10, full
49	KLX01370.0	4	Castor retainer
50	DX25180.0	2	Washer M12, copper
51	KRX21130.0	1	Label booklet (not illustrated)
52	AX01160.0	1	Label CE
53	AX31220.0	1	Allen Key 6 mm (not illustrated)



Produced by:

Nibotechnics nv

Heikant 5 | 3930 Hamont-Achel | Belgium

T +32 (11) 80 20 40 | info@nibotechnics.com | www.nibotechnics.com