



Thermalator Mobile Moist Heating Unit Models T-8-M & T-12-M

Shown from Left to Right
T-8-M and T-12-M



Product photo/image above may show some available options

Whitehall Thermalators have the best elements of a hot therapy unit to maintain a constant water temperature for comfortable effective therapy. T-8-M recommended for use in medium sized clinics. T-12-M recommended for use in large clinics

Unit is fabricated from heavy gauge, type 304, stainless steel polished to a satin finish. Cover has a continuous hinge pin and a built in stop that will keep it in the upright position when open.

Interior Wire Rack is vinyl coated stainless steel and will hold Thermal Packs in the upright position.

Heating Unit has a built-in adjustable thermostat to 165°F, and is Underwriters Laboratory listed. On/off switch had a built-in light to indicate that the unit is on. Thermalator is furnished complete with rack and a collection of Thermal Packs.

GUIDE SPECIFICATIONS

Thermalator shall be fabricated from heavy gauge, type 304 stainless steel, polished to satin finish. Cover shall have a continuous hinge pin and a built-in stop that will hold it in the upright position when open. Heating unit shall be U.L. listed and shall have an adjustable thermostat to 165°F. On/off switch shall have a built-in light to indicate when unit is on. Thermalator shall be furnished complete with rack and a collection of Thermal Packs.

T-8-M Mobile Thermalator
17-1/2" x 15-1/2" x 32-3/4"
(445mm x 395mm x 830mm)

includes

8 standard Thermal-Packs
10" x 12" (254mm x 305mm)

T-12-M Mobile Thermalator
24" x 16" x 32"
(610mm x 405mm x 815mm)

includes

12 standard Thermal-Packs
10" x 12" (254mm x 305mm)



Whitehall Manufacturing

Moist Heat Therapy

MODEL NUMBER AND OPTION SELECTIONS

Series

- -T Thermalator

Capacity

- -8 Std. Thermal Packs, 10" x 12"
- -12 Std. Thermal Packs, 10" x 12"

Type

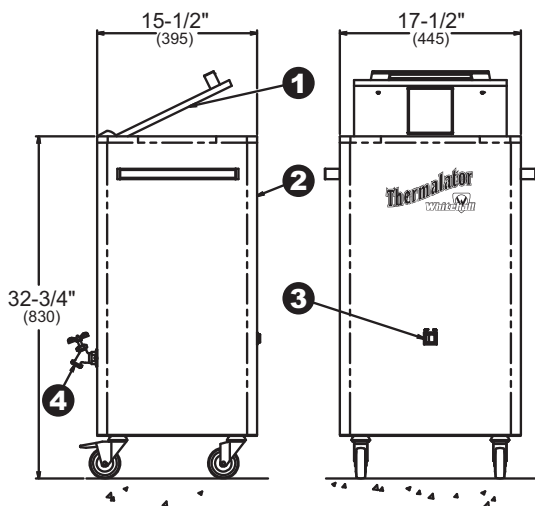
- -M Mobile

Suffix Options

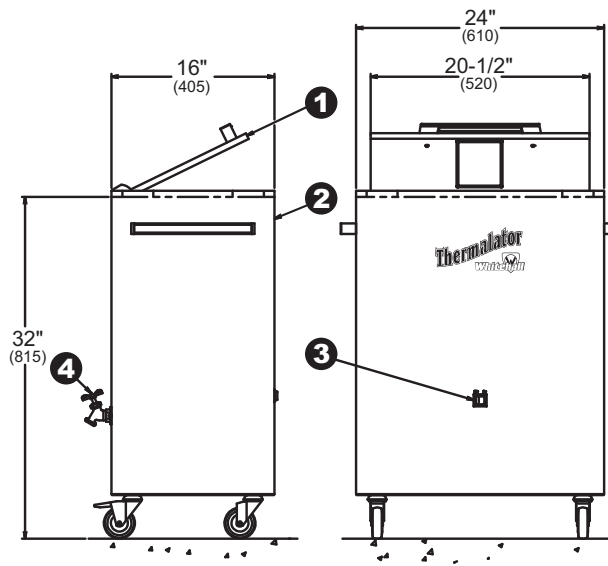
- -ADH Auxiliary Drain Hose, 5ft.
- -CE Concealed Heating Element
- -DG Digital Thermometer
- -EG Enviro Glaze Color Powder Coating
Specify Color: _____
(Special Finish Consult Factory)
- -GFI Ground Fault Interrupter

Electrical on standard Thermalator is 115 volts, please specify if 220 volts electrical is required.

All dimension figures in parentheses are in millimeters.



**T-8-M
Mobile Thermalator**



**T-12-M
Mobile Thermalator**

- NOTES:
- 1) Lid with Hinge Pin & Stop
 - 2) Stainless Steel Thermalator Tank
 - 3) Illuminated On/Off Indicator Switch
 - 4) 3/4" (20 mm) Hose Bib Drain

All dimensions are nominal and subject to manufacturer's change without notice. Whitehall assumes no responsibility for use of void or suspended data. © 2005 Whitehall Manufacturing, A Division of Acorn Engineering Company. Please visit www.whitehallmfg.com for most current specifications.

SELECTION SUMMARY & APPROVAL FOR MANUFACTURING

Model Number & Options _____ Quantity _____
 Company _____ Date _____
 Contact _____ Title _____
 Approval for Manufacturing/Signature _____

Whitehall Mfg. > P.O. Box 3527 > City of Industry, CA 91744 > (800) 782-7706 > (626) 968-6681 > FAX (626) 855-4862