



Features

Bedside cabinet to place beside the hospital bed.

- Its finish is resistant to impacts, light, abrasion and scratching, especially at the corners and at the bottom. It is not affected by contact with alcohol, solvents, detergents or foodstuffs.
- Structure in impermeable, fireproof and high-resistance HPL (High Pressure Laminate). Fire rating: M2.
- Top cover with side protector in phenolic HPL material and aluminium rods.
- Contact surfaces with rounded corners and edges, without sharp edges or surfaces, allowing easy cleaning.
- It is made up of a sliding drawer with sliding guides and anti-drop stop, an open housing in the middle, and a space at the bottom with a double-opening cabinet and inner shelf.

- Housing to be used as a bottle rack, handles to use as a towel rack, and a hollow with a bow to use as a magazine rack or to store other objects.
- Metal drawer and door handles (aluminium).
- 4 double pivoting wheels 75 mm in diameter with double rubber tread, all with an individual brake, and protective discs at the four corners. The 2 wheels under the tilt-top are located on the outside of the main part of the bedside cabinet to increase its stability.
- The colour of the front can be chosen to combine with other elements in the room.
- Reversible bedside cabinet (drawer and door opens from both sides), which means it can be placed to the left or the right of the bed.
- Side module with double hollow.

Accessory

- The tilt-top reclines 63° into 4 positions, revolves 360° and can be extended 13 cm.
- Height can be adjusted by a gas piston, allowing it to be adapted to the height of the bed.
- The open tilt-top guarantees a stable horizontal position, as it has a built-in anti-tip system for maximum stability.
- Non-slip system on the base to hold books, magazines, etc
- Load capacity of the tilt-top of 25 kg.
- Dimensions of the tilt-top 60 x 40 cm.
- Reversible systems, both the bedside cabinet and the tilt-top.

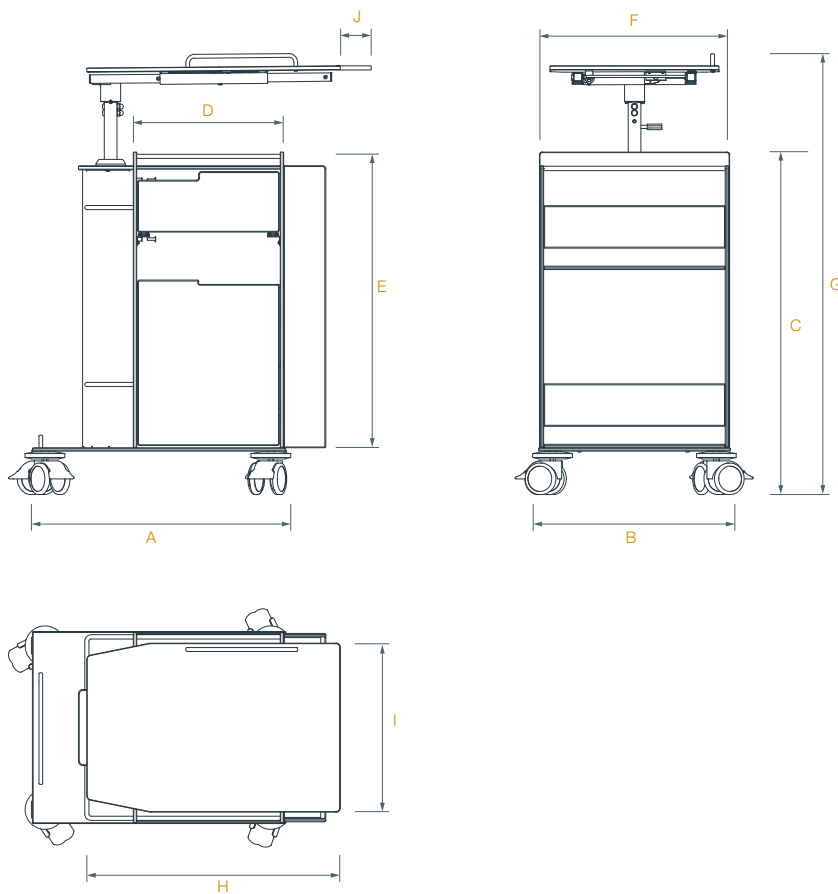


NewCare Bedside cabinet



Technical information

Length (A)	710 mm. ± 10 mm.
Depth (B)	485 mm. ± 10 mm.
Altura (C)	830 mm. ± 10 mm.
Furnishing dimensions (D x E)	360 x 710 x 450 mm. ± 10 mm.
Heights of the tilt-top (F)	1000 / 1220 mm. ± 10 mm.
Dimensions of the tilt-top (G x H)	600 x 400 mm. ± 10 mm.
Extension of the tilt-top (I)	130 mm. ± 10 mm.
Diameter of the wheels	75 mm.
Weight supported	50 kg
Weight supported of the tilt-top	25 kg.



Colour Options

